

APPLICATIONS

- Powerchairs / home mobility equipment
- Scooters, 3- and 4 wheels
- Toys for children
- Cleaning Machines
- Personal Carriers
- Utility Vehicles

SPECIFICATIONS

Nominal Voltage	12V	
Nominal capacity @20 hour rate	50Ah	
Capacity at 25°C	10 hour rate	43Ah
	5 hour rate	40Ah
	1 hour rate	27Ah
Shelf time @20°C up to 70%	in months	9
Internal resistance (at 1 KHz)	approx. 7 mΩ	
Operating temperature for (dis)charge	-15°C to + 40°C	

DIMENSIONS

Dimensions LxWxH (T) in mm	199x166x171 (171)
Weight	14,8kg (±2%)
Separator	AGM, Glass Mat
Case and cover	ABS (UL94-V0 optional)
Terminal	M6 Bolt
Torque setting (recommended)	M6: 6 Nm
Maximum allowable torque value	M6: 9 Nm

CHARGING

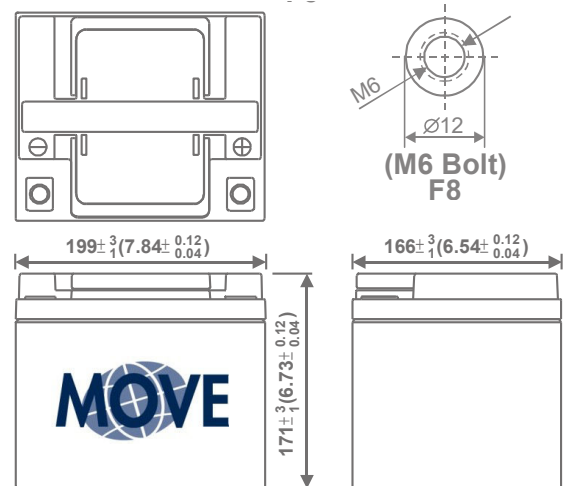
Charging Voltage cycle use 14,4 to 15 Volt
 Float charge Voltage 13,5 to 13,8 Volt
 Charging current, minimum 5A - maximum 8A

CYCLE LIFE

To maximize the cycle life of the battery, we recommend to charge the battery fully after use. The total life of the battery, is very dependant on the correct charge and depth of discharge per cycle.

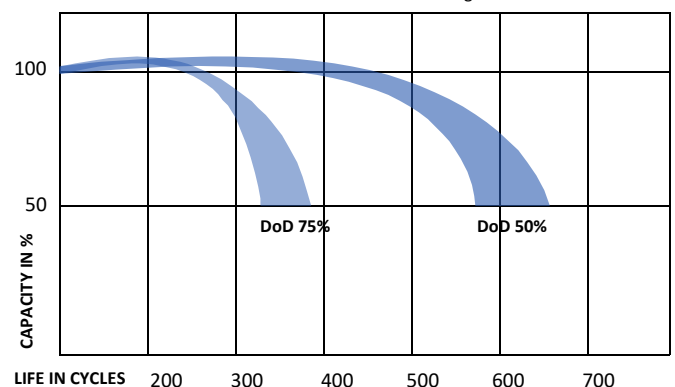
TRANSPORT INFORMATION

This battery is NON-SPILLABLE as defined in IATA Dangerous Goods Regulations Packing Instructions 806, Special Provision A67.



BATTERY LIFE UNDER CYCLIC USE

Tested in conformance to the BCI testing method



* Cycle life is measured with a discharge current 0,2C, charged 16h and rest capacity of 2/3 Cn